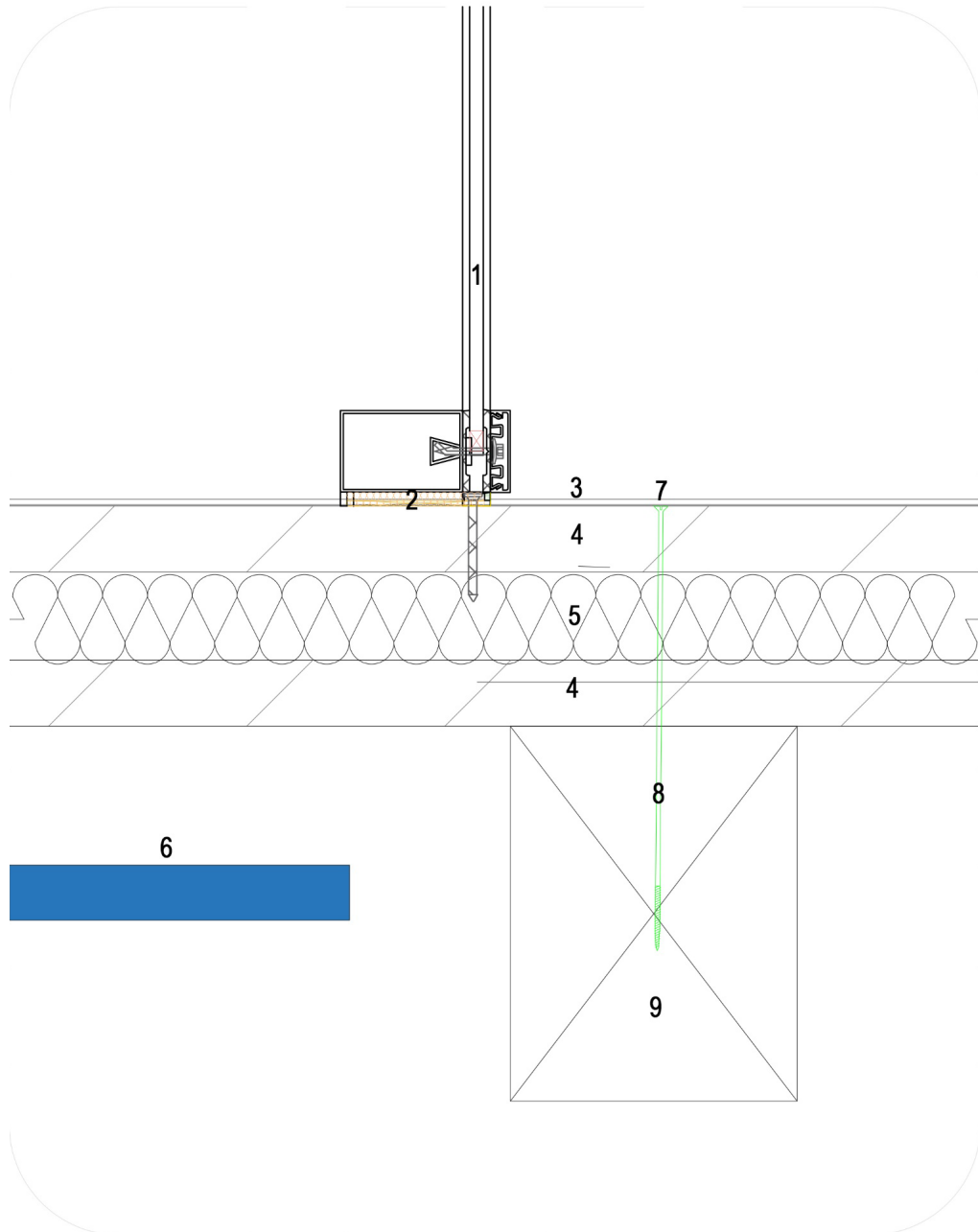


Detail – Sandwiched CLT Panels – Glulam Beam Supported CLT Floor Section and Portable Internal Partition Fixing



- 1.Partition glass- acoustic/fabric wall on GGIPyroFrames TM. Narrow profile, roll-formed steel framing manufactured for 45 to 120-minute fire rating applications with hose stream. Fabric sections: Ecophon Super G Wall Panels, 40mm impact resistant glass fibre fabric (Super G™). Sound absorption class A, aw 1.0. Fully recyclable, Mechanical properties to EN 13964 annex D, class 1 A, noncombustible to EN ISO 1182, class A2-s1 ,d0.
- 2.Monarfloor Wall Cap 100 Timber- 3.8mm x 100mm x 8m- Bitumen composite membrane with acoustically rated fillers and a fire retardant finish
- 3.Stone Effect Grey Engineered Stone Flooring (Tenacity Tile). PVC free and plasticizer free ceramic composite (magnesium) made to be rigid, strong, unaffected by heat and temperature variations, and sustainable. Flooring Edges-Bevelled, Flooring Fitting Type- Click Fit, Flooring Format-Tile, Flooring Surface- Stone. Colour Description- Grey, Light grey, Commercial Suitability- Class 33 Heavy Commercial, Finish- Matt, Non-Lacquered, Material- 98% Mineral Compound, Pack Size-12, Product Type- Engineered Stone, Thermal resistance- 0.15(m2K)/W. Length- 596mm, Width- 298mm, Thickness- 7mm, Abrasion Class- AC4- medium commercial use, Effect of Caster Chairs- Pas25,000R, Impact resistance >1800m, Light Fastness >Grade 6, TriTec Ultimate Surface, Mould, fire & smoke resistant, Similar stability, scratch, stain resistance as a ceramic tile Backing made from recycled plastic bottles pre-attached (500 ft2 / 50 m2= 550 bottles recycled).
4. 60mm MM cross-laminated timber panels, spruce, European Technical Approval ETA-09/0036, improved fire rating- water based fire retardant treated, off-site pre-assembled and pre-insulated 4 sandwich panels per roof/floor. thermal conductivity: 0.13 W /mK, density: 480-500 kg/m3, Compressive strength: 2.5 N/mm2 (perpen. to grain of boards) 21 N/mm2 (parallel to grain of boards), Bending strength: 24 N/mm2 (parallel to grain of boards), Elastic modulus: 370 N/mm2 (perpen. to grain of boards) 11,500 N/mm2 (parallel to grain of boards)
- 5.80mm PUR expanding foam insulation, ISOTHANE LD40, CFC & HCFC FREE, density 40 kg/m3, water and air tight, fire resistant, U-value 0.025W/mK
- 6.Troldtekt akustik panels installed with concealed Troldtekt KN brackets on suspended C60 profile system. Panel size: 600X2400mm, Thickness: 35mm, Panel finish: Black 207 wood. Structure: Coarse 3mm, Edge design: KO- Square edges, Ceiling type: Fine fibre wood wool panels meeting EN 13168 and EN 13964 standards. The panels must be available as be PEFC™ or FSC®-certified (FSC® C115450). Certified "Silver" Cradle to Cradle" and the "Allergy Friendly Product Award"- "Allergy UK"., Grid form: C60 Troldtekt MF channel sections, Grid exposure: Concealed, Suspension system: Troldtekt C60 system, Primary C60 grid profile centres: Maximum 1200mm, Hanger centres: Maximum 1000mm, C60 main runner centres: 600mm, C-cross connectors at C60 primary grid/ C60 main runner intersections.
- 7.Full-surface self-adhesive Hanno Flashing Tape DUO Easy 180 is a full-surface adhesive flashing tape for interior and exterior seals, consisting of a modified polyamide-film/woven material combination. It is equipped with a full-surface self-adhesive side for connecting to windows and masonry as a standard feature. The cover film is cut in the longitudinal direction. Durability: optimal moisture management in the joint: sd value 0.6 :5 sd :5 23 m, Resistance to driving rain >600 Pa, Airtight to around :5 0.1 m3/(h·m ·(daPa)2/3), No additional film adhesive required, All bonded layers covered with longitudinally cut film, Stretchy and simple to work with, Can be plastered or painted over, UV-resistant for 12 months.
8. HBS 6x340 at 300 atlerating centres screws.
9. Glulam beam, Stress Grade: GL32 c (BS16) with combined layup, 240x360mm